

PN 16 / CLASS 125

Brass Auto Air Vent (Threaded)

Fig. 9801

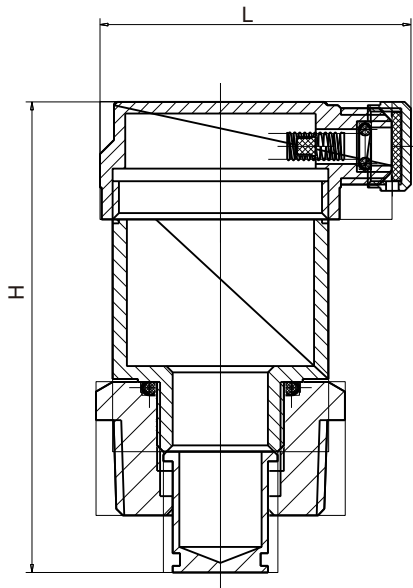


Specification

Screwed-In Bonnet • Swivel Disc
 Rising Stem • Asbestos Free
 Threaded to BS 21 (ISO7) / ASME B1.20.1
 Size Range: 15mm(1/2")~25mm(1")

Pressure Ratings

Working Pressure	232(16bar)
Testing Pressure	Shell: 350psi (24bar) Hydrostatic Seat: 255 psi (17.6bar) Hydrostatic 80 psi (5.5 bar) Air



Material List

Part Name	Material	ASTM	BS EN
Body	Brass	B124 C37700	12165 CW617N
Disc	Brass	B124 C37700	12165 CW617N
Stem	Brass	B124 C37700	12165 CW617N
Cap	Brass	B124 C37700	12165 CW617N
Gasket	NBR		
Air Cap	Brass	B124 C37700	12165 CW617N
Connector	Brass	B124 C37700	12165 CW617N
Core	Brass	B124 C37700	12165 CW617N
Floater	Polytene		
Floater Bar	Brass	B124 C37700	12165 CW617N
O Ring	NBR		
Spring	Stainless Steel		

Dimension

Size	mm	15	20	25
	Inch	1/2	3/4	1
L		50	50	50
H		76	76	76