

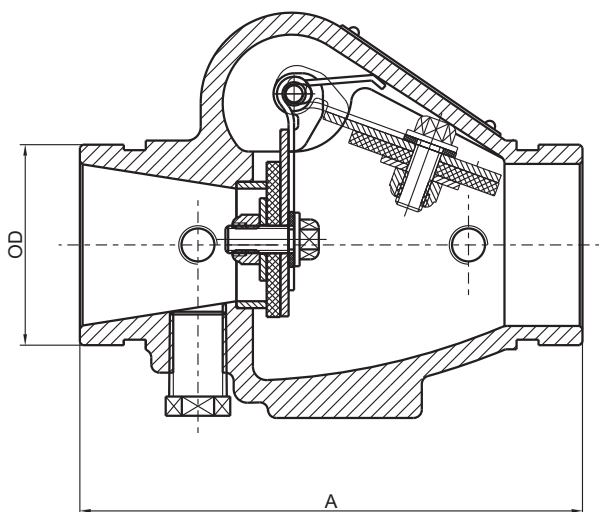
# Swing Check Valve

Resilient Seated Grooved Ends

Fig. 50GG-300  
50GG-250  
50GG-200

**Working pressure**  
200PSI / 250PSI / 300PSI

**Flanged Ends**  
AWWA C 606



## Materials List

Part Name	Material	ASTM Specification
Body	Ductile Iron	A536 65-45-12
Seat	Bronze	ASTM B62
Clapper	Stainless Steel	AISI 304
Facing Seal	EPDM Rubber	
Clamping Ring	Stainless Steel	AISI 304
Gasket	EPDM Rubber	
Spring	Stainless Steel	AISI 304
Hinge Pin	Stainless Steel	AISI 304
Bolt	Stainless Steel	AISI 304
Lockmul	Stainless Steel	AISI 304
Plug 1/4" NPT	Carbon Steel	
Plug 1/2" NPT	Carbon Steel	

## Dimensions(mm/inch)

SIZE	mm	50	65	80	100	125	150	200
	inch	2	2 <sup>1</sup> / <sub>2</sub>	3	4	5	6	8
L	mm	169	183	198	218	248	270	325
	inch	6.65	7.20	7.80	8.58	9.76	10.63	12.80
OD	mm	60.3	73.0/76.1	88.9	114.3	139.7/141.3	165.1/168.3	219.1