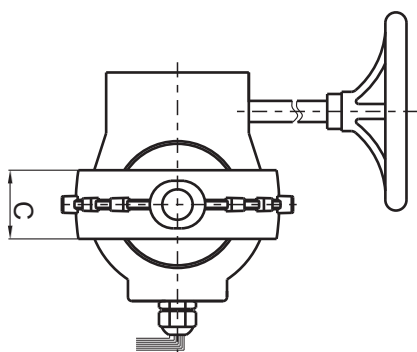


Butterfly Valve

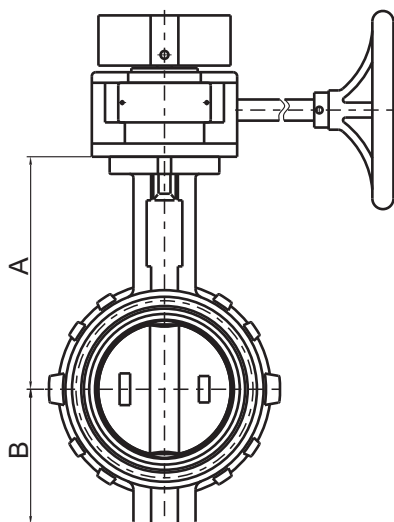
Resilient Seated Wafer Ends

Fig.20W-300
20W-250
20W-200



Working pressure
200PSI / 250PSI / 300PSI

Flanged Ends
ANSI B16.1 Class125/150/250,
EN1092-2 PN10/PN16/PN25
BS10 Table D/Table E



Materials List

Component	Material	Specification
Body	Ductile Iron	A536 65-45-12
Disc	Ductile Iron	
	Stainless Steel	
	Bronze	
Upper&Lower Stems	Stainless Steel	AISI 420
Worn Gear Shaft	Stainless Steel	AISI 420
Housing	Ductile Iron	A536 65-45-12
Hand Wheel	Ductile Iron	A536 65-45-12
Flag indicator	Ductile Iron	A536 65-45-12
Segment Gear	Bronze	ASTM B62
Housing Gasket	EPDM Grade"E"	
O-Rings(All)	EPDM Grade"E"	

Dimensions(mm/inch)

SIZE	mm	50	65	80	100	125	150	200	250	300
	inch	2	2 ¹ / ₂	3	4	5	6	8	10	12
A	mm	141	153	158	176	191	203	244	273	311
	inch	5.55	6.02	6.22	6.93	7.52	7.99	9.61	10.75	12.24
B	mm	64	72	80	102	112	128	176	206	245
	inch	2.52	2.83	3.15	4.02	4.41	5.04	6.93	8.11	9.65
C	mm	43	46	46	52	56	56	60	68	78
	inch	1.69	1.81	1.81	2.05	2.20	2.20	2.36	2.68	3.07

Factory installed UL, listed double Tamper Switches For indoor and Outdoor Use.